

PRATT PORTABLE GRAVITY FED EYE WASH UNIT - 55L

PRATT PORTABLE GRAVITY FED EYE WASH UNITS ARE FOR USE IN AREAS WHERE PLUMBED POTABLE WATER IS NOT AVAILABLE.

The eye wash unit is designed mainly for wall mounting applications but can be used as a stand alone unit on a shelf or a bench.

FEATURES & BENEFITS:

- It's a compact portable, gravity fed eye wash unit that provides a minimum of 15 minutes continuous water flow.
- Pull down the eye wash tray to activate the water flow.
- The spray nozzles are protected from dust, grime and damage when the tray is in the closed position.
- Made from UV stabilised high density polyethylene (HDPE), with a yellow fold down tray for an easy identification.
- Moulded handle on top allows easier handling and is designed to fit neatly on the wall mounting bracket supplied with unit.
- 55 litre tank capacity.
- A wide fill opening with threaded cap permits easy inspection, cleaning and filling.
- Supplied complete with wall bracket and one bottle of eye wash preservative additive to preserve the water.
- Using the preservative allows storage of water for up to a maximum of 3 months.
- This equipment complies with AS4775 and ANSI Z358.1 as a self-contained eyewash.

COMPONENT LIST:

- Eye Wash Station
- Inspection Tag
- Wall Mounting Bracket Assembly
- Instructions

ACCESSORIES:

- SE4764 Water preservative solution 4 pack 250ml bottles
- SETESTTAG Shower and eye wash test tag - pack of 10
- SE5050TC Thermal cover for SE5050



SE5050TC



SE4764



SETESTTAG

Available from



PRATT PORTABLE GRAVITY FED EYE WASH UNIT - 55L

INSTALLATION INSTRUCTIONS:

CAUTION: Adequate wall support is recommended. Unit weighs in excess of 62kg when filled to capacity.

1. Inspect and rinse the tank, if necessary.
2. The unit may be mounted on a wall or as a stand alone unit on a bench, the eye wash nozzles should be at a minimum of 838mm to maximum of 1143mm from the floor when in an open position.
3. When wall mounting, install J hook to a proper support beam at a minimum 1325mm to a maximum 1630mm from the floor to the top of the J hook, using anchor bolts as supplied or heavy duty screws as required.
4. Mount the empty eye wash unit on J hook bracket.
5. Fill tank with potable water up to the appropriate fill line and add a bottle of water preservative. Follow the directions on the water preservative bottle.

NOTE: Water Preservative is not included and will need to be purchased separately.

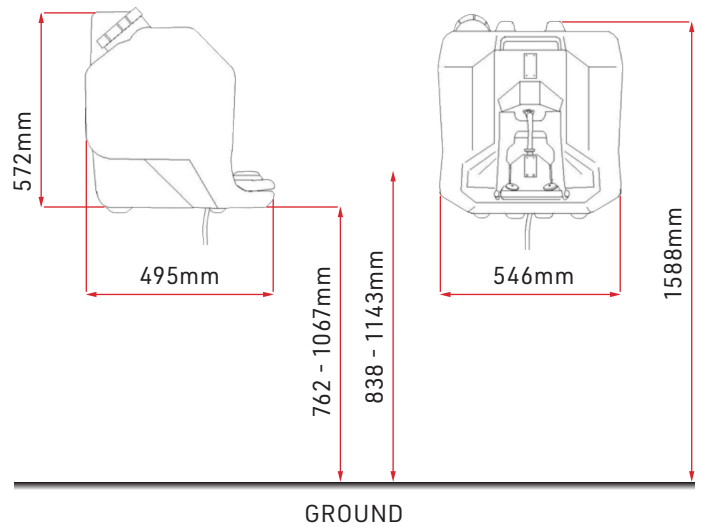
6. Pull down the eye wash tray to activate and test unit for proper flow pattern.

MAINTENANCE:

1. The eye wash unit should be inspected weekly as required by Standards. Conduct visual inspection for any leakages or damages.
2. Keep tray closed to protect eye wash nozzles and shut off water flow. Do not lean on tray when opened.
3. Water should be changed every 90 days (when preservative is used) and the unit cleaned or more often if conditions warrant. Water preservative should be added each time the water is changed.
4. Rinse and refill with clean potable water and a bottle of preservative when filling unit after use, cleaning or testing.
5. Upon each inspection or refill, record details on test tag.
6. Check water level in reservoir and top up if required.

GENERAL INFORMATION:

1. Eye wash units shall be in accessible locations that require no more than 10 seconds travel time from the hazardous work area.
2. Employees shall be instructed in the proper use of emergency eye wash equipment.
3. Each unit shall be identified with a highly visible sign. The area around the unit shall be well lit and free of obstructions.
4. Units shall be inspected annually for proper operation to ensure compliance to AS4775 standard.



IMPORTANT INFORMATION:

The eye wash unit must be filled with clean potable water, AFTER it has been mounted to the wall bracket. Mounting a filled unit may cause damage to the unit and possible leakage. Adequate wall support is required. Unit weight is in excess of 62kg when filled to capacity.

Damage to the unit resulting from filling before mounting to the wall WILL NOT be covered by warranty.

TROUBLE SHOOTING:

PROBLEM	REASON	EXCLUDE MEASURES
No flow.	A. No water. B. Water pipe or fitting clogging.	A. Tank empty. Refill tank. B. Obstruction in line or fitting. Clear obstruction.
Poor flow from eyewash head(s).	A. Water few. B. Sprayer clogging.	A. Tighten head assembly. B. Check for obstructions. If necessary, remove eyewash head(s), clean and reassemble. To reassemble head, place cap screw through head and thread into head anchor two or three turns. Tilt head assembly and work anchor legs into eyewash armholes. Tighten assembly. Check for leaks.
Water leak between joints or fittings.	Rubber tube ageing.	A. Pull hose off fitting. Smooth raised plastic edge on center of fittings. Return hose and hose clamp to original position. B. Tighten hose clamp(s) with pliers.